



**KD CONNECTORS**

**MIL-DTL-5015**

The MS Standard connectors are designed and manufactured to MIL-DTL-5015, The Military Specification covering KD connectors.



# KD CONNECTORS [MIL-DTL-5015]

## ▶ Summary / 개요

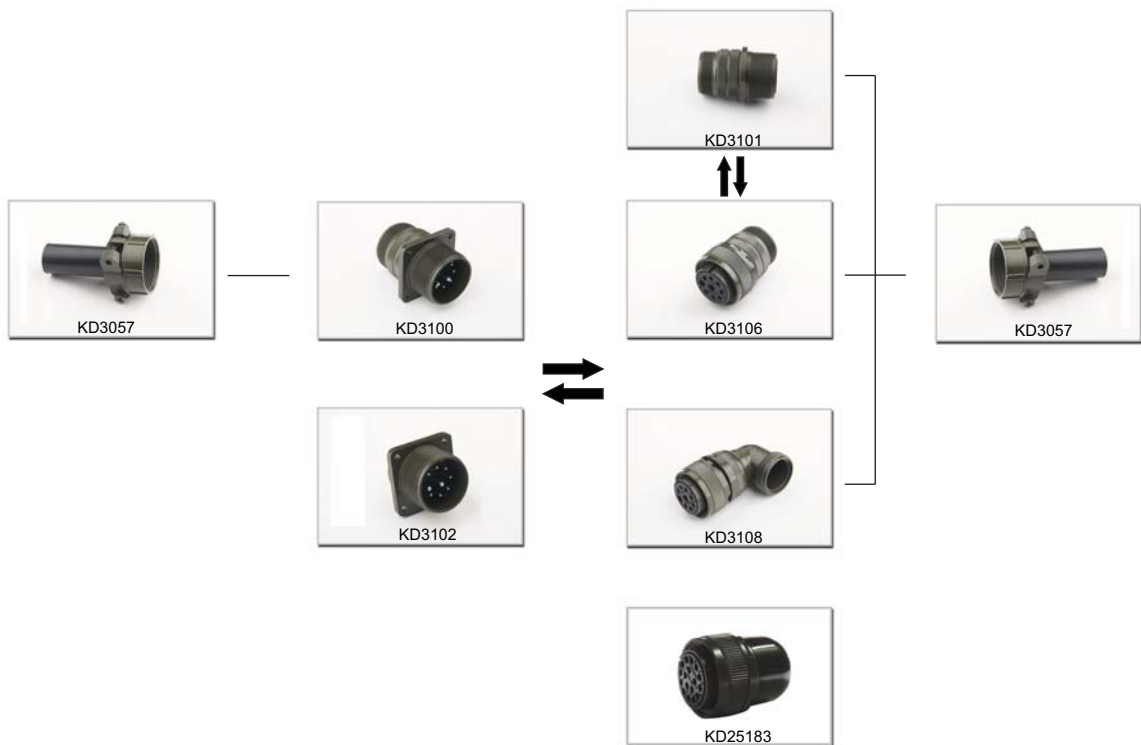
The KD Connectors was designed for connection of electric and electronic device. and now, KD connectors are used in wide range of general industrial applications due to their high quality in intermatibility and reliability with low price.

MS connectors are designed, manufactured and tested to MIL-DTL-5015, the military Detail specification.

This catalogue is based on solid(A) and split(B) types of connectors and please feel free to contact us for details and for other specific connectors

KD 커넥터는 전기 또는 전자 관련 기기의 연결목적으로 개발되었으며 상호 호환성, 신뢰성 및 고품질 수준과 저렴한 가격으로 일반산업 분야에서도 널리 사용되고 있다. 또한, MIL-DTL-5015 규격에 의해 디자인 및 제작 되고 시험한다. 본 카다로그는 일체형(A)과 분리형(B)을 기본으로 하였으며 세부적인 사항 및 기타 특수 커넥터의 경우 연락바랍니다.

## ▶ Mating Guide / 결합도



## ▶ Standard Materials and Finishes / 재료 및 표면 처리

Shell / 몸체	Aluminum alloy, olive drab chromate coating over zinc plating 알루미늄 합금, 아연도금 후 담록색 크로메이트 처리
Insulator / 절연체	Synthetic Rubber (B-Type=Synthetic resin) 합성고무 (B-타입=합성수지)
Contacts / 접점	Copper alloy with silver plate 동합금, 은도금
Environmental Protection per MIL-DTL-5015 (MIL-STD-1344) MIL-DTL-5015 (MIL-STD-1344)에 의한 내환경성 시험	

# KD CONNECTORS [MIL-DTL-5015]

## ▶ Characteristics / 특성

Insulation Resistance / 절연저항	5,000M $\Omega$ Min (at 20 $^{\circ}$ C)
Temperature Range / 온도범위	-55 $^{\circ}$ C to 125 $^{\circ}$ C
Mating Cycles / 내구력	500 Cycle Connection/Disconnection

## ▶ Voltage Rating / 전압 범위

Dielectric Withstanding Voltage			
Service Rating 분류 기호	Test Voltage AC (rms) 내전압	Operating Voltage 정격전압	
		AC	DC
Inst	1000	200	250
A	2000	500	700
D	2800	900	1250
E	3500	1250	1750
B	4500	1750	2450
C	7000	3000	4200

## ▶ Contact current capacity & Compatible wire size / 접점전류용량 및 전선 크기

Contact Size			Current (A) Rating (Mated With Insulators)	Contact Resistance		Wire Rang Accommodations		
Size	Pin Contact Diam.	Solder Pot Diam.		Test Current	Potential Drop Max	AWG	Wire Nomal Square Size (mm $^2$ )	Dielectric Material Outer Diam.
#16	Ø1.6	Ø2.0	13A	20A	21mV	#22 ~ #16	≤ 1.3	Ø1.7 ~ 3.3
#12	Ø2.4	Ø3.0	23A	35A	20mV	#14 ~ #12	≤ 3.5	Ø2.9 ~ 4.3
#8	Ø3.6	Ø5.2	46A	60A	12mV	#10 ~ #8	≤ 8	Ø4.2 ~ 6.4
#4	Ø5.7	Ø8.5	80A	110A	10mV	#6 ~ #4	≤ 22	Ø7.0 ~ 9.4
#0	Ø9.1	Ø12.0	150A	200A	10mV	#2 ~ #0	≤ 50	Ø10.6 ~ 14.0

# KD CONNECTORS [MIL-DTL-5015]

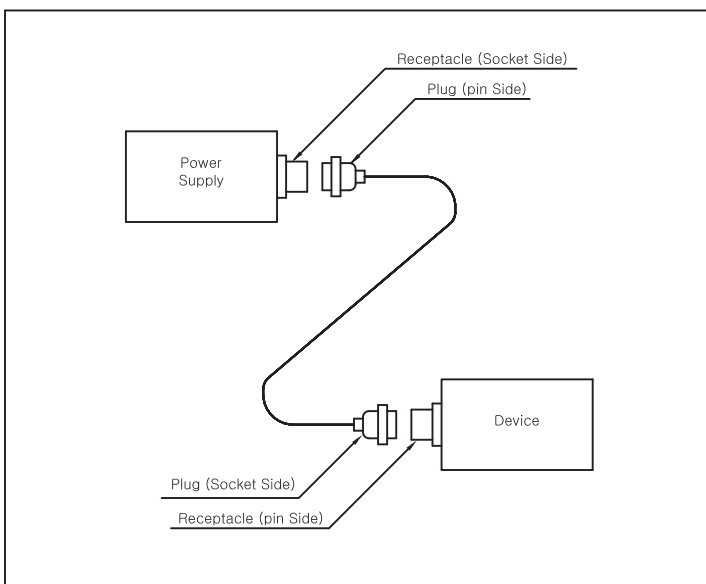
## ▶ Contact Engaging & Separating Force / 결합력과 분리력

Contact Engaging & Separating Force			
Contact Size	Force (Nm)		
	Maximum	Average	Minimum
#16	1.36	0.95	0.11
#12	2.27	1.59	0.23
#8	4.54	3.18	0.34
#4	6.80	4.76	0.45
#0	9.07	6.35	0.91

## ▶ Environmental Performance / 환경 시험

Operating Temperature / 운용온도	-55℃ ~ +125℃
Vibration / 진동	MIL-STD-1344 Method 2005 / 10 ~ 500Hz (10G)
Shock / 충격	50G / Time:11±1μs / Test current: 100mA
Salt spray / 염수분무	MIL-STD-1344 Method 1001 / Salt solution:5%/48Hours
Humidity / 습도	Relative Humidity: 95%±3% / Temperature: 71℃±2℃ / 14Days

## ▶ Pin or Socket Inserts / 핀 또는 소켓의 접점

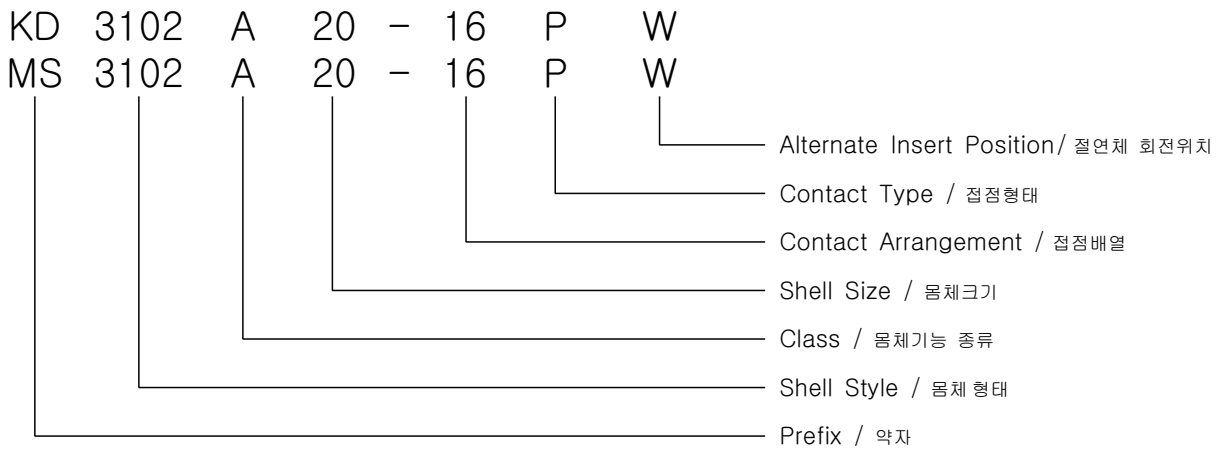


Connector combinations are formed with plugs and receptacles which are connected with pins and sockets. Either the receptacle or the plug can be provided with pin inserts or socket inserts. However, if one side is a pin inserts, the mating side will be a socketed insert. The type to use will be determined by the state of the equipment but it is generally recommended to use the socket on the output side and pins on the input side.

커넥터는 장비형과 플러그형으로 구성되며, 핀과 소켓에 의하여 상호 연결된다. 다만, 제품의 연결 형태가 핀 절연체일 경우 연결되는 상대 형태는 소켓 절연체이어야 한다. 제품이 연결되어 사용하는 형태는 장비의 용도에 따라 결정되지만, 일반적으로 출력단자에는 소켓형태, 입력단자에는 핀형태를 권장한다.

# KD CONNECTORS [MIL-DTL-5015]

## ▶ Ordering Information / 품명구성



Prefix / 약어	KD (KUKDONG company name) MS (Military Standard)
Contact Type / 접점형태	P = Pin/male contacts S = Socket/Female contacts
Alternate Insert Position / 절연체 회전위치	Black (Normal), W, X, Y, Z

## ▶ Shell Style / 용체 형태

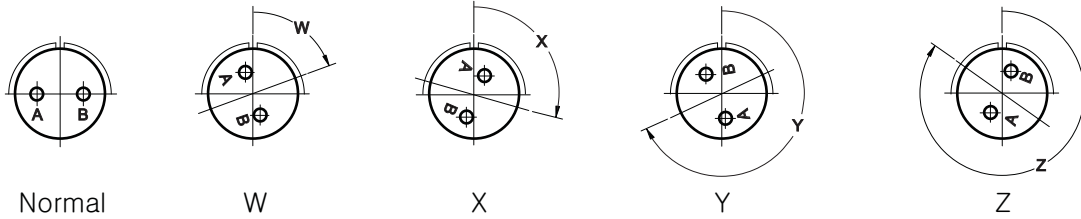
Shell Style / 용체형태	Description / 설명	Available Class 기능항목
KD3100	Wall mounting receptacle / 장비형 (벽면 장착용)	A, E/F, R
KD3101	Cable connecting plug / 플러그형 (케이블 연결용)	A, E/F, R
KD3102	Box mounting receptacle / 장비형 (상자 장착용)	A, B, E, R
KD3106	Straight plug / 플러그형 (직선용)	A, B, E/F, R
KD3108	90° angle plug / 플러그형 (90°용)	A, B, E/F, R
KD25183	Potting seal plug / 플러그형 (밀봉용)	—

## ▶ Service Class / 기능 종류

Class / 분류	Description / 설명
A	Solid Shell. Solder contacts & none pressured. / 일체형 용체
B	Split Shell. Solder contacts & none pressured. / 분리형 용체
E/F	Environmental with resistant insulators and integral cable clamp / 내환경형
R	Environmental with resistant insulators and shortened light-weight endbell : also additional sealing with "O"ring seal under coupling nut in shell style 3106 and 3108 / 내환경형

# KD CONNECTORS [MIL-DTL-5015]

## ▶ Alternate Insert Positions / 절연체 회전위치

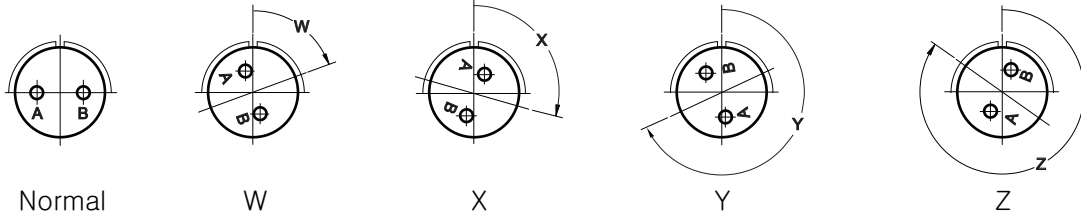


Shell size	INSERT Number	Contacts						Alternate Pos.			
		Tot	0	4	8	12	16	W	X	Y	Z
10SL	10SL-3	3					3				
	10SL-4	2					2				
12S	12S-3	2					2	70	145	215	290
	12S-4	1					1				
12	12-5	1				1					
14S	14S-1	3					3				
	14S-2	4					4	120	240		
	14S-4	1					1				
	14S-5	5					5	110			
	14S-6	6					6				
	14S-7	3					3	90	180	270	
	14S-9	2					2	70	145	215	290
14	14-3	1			1						
16S	16S-1	7					7	80			280
	16S-5	3					3	70	145	215	290
	16S-8	5					5	170	265		
16	16-9	4				2	2	35	110	250	325
	16-10	3				3		90	180	270	
	16-11	2				2		35	110	250	325
	16-12	1		1							
18	18-1	10					10	70	145	215	290
	18-3	2				2		35	110	250	325
	18-4	4				4	35	110	250	325	
	18-5	3				2	1	80	110	250	280
	18-6	1		1							
	18-7	1			1						
	18-8	8				1	7	70			290
	18-9	7				2	5	80	110	250	280
	18-10	4				4		120	240		
	18-11	5				5		170	265		
	18-12	6				6	80				280
	18-13	4			1	3	80	110	250	280	
	18-19	10				10		120	240		
	18-20	5				5	90	180	270		
18-21	3				3						

Shell size	INSERT Number	Contacts						Alternate Pos.			
		Tot	0	4	8	12	16	W	X	Y	Z
18	18-22	3					3	70	145	215	290
20	20-2	1	1								
	20-3	3				3		70	145	215	290
	20-4	4				4		45	110	250	
	20-6	3					3	70	145	215	290
	20-7	8					8	80	110	250	280
	20-8	6			2		4	80	110	250	280
	20-9	8				1	7	80	110	250	280
	20-11	13					13				
	20-15	7				7		80			280
	20-16	9				2	7	80	110	250	280
	20-17	6				5	1	90	180	270	
	20-18	9				3	6	35	110	250	325
	20-19	3			3			90	180	270	
	20-21	9				1	8	35	110	250	325
	20-22	6			3		3	80	110	250	280
	20-23	2			2			35	110	250	325
	20-24	4			2		2	35	110	250	325
	20-25	13					13				
	20-27	14					14		35	110	250
20-29	17					17		80		280	
20-33	11					11					
22	22-1	2			2			35	110	250	325
	22-2	3			3			70	145	215	290
	22-4	4			2	2		35	110	250	325
	22-5	6				2	4	35	110	250	325
	22-7	1	1								
	22-8	2				2		35	110	250	325
	22-9	3				3		70	145	215	290
	22-10	4				4		35	110	250	325
	22-12	5			2		3	80	110	250	280
	22-14	19					19	80	110	250	280
	22-15	6				5	1	80	110	250	280
	22-16	9				3	6	80	110	250	280
	22-17	9				1	8	80	110	250	280

# KD CONNECTORS [MIL-DTL-5015]

## ▶ Alternate Insert Positions / 절연체 회전위치



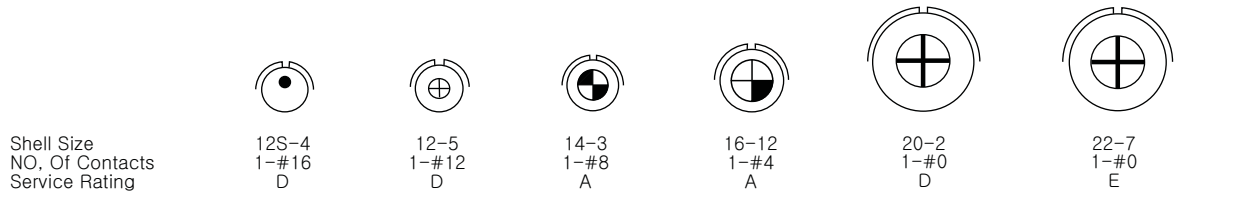
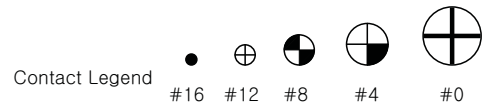
Shell size	INSERT Number	Contacts						Alternate Pos.			
		Tot	0	4	8	12	16	W	X	Y	Z
22	22-18	8					8	80	110	250	280
	22-19	14					14	80	110	250	280
	22-20	9					9	35	110	250	325
	22-22	4			4				110	250	
	22-23	8				8		35		250	
	22-27	9			1		8	80		250	280
	22-28	7					7	80			280
24	24-2	7				7		80			280
	24-3	7				2	5	80	110	250	280
	24-5	16					16	80	110	250	280
	24-6	8				8		80	110	250	280
	24-7	16				2	14	80	110	250	280
	24-9	2		2				35	110	250	325
	24-10	7			7			80			280
	24-11	9			3	6		35	110	250	325
	24-12	5		2		3		80	110	250	280
	24-17	5				2	3	80	110	250	280
	24-20	11				2	9	80	110	250	280
	24-22	4			4			45	110	250	
	24-23	5			3		2	80	110	250	280
	24-27	7					7	80			280
	24-28	24					24	80	110	250	280
28	28-1	9			3	6		80	110	250	280
	28-2	14				2	12	35	110	250	325
	28-3	3			3			70	145	215	290
	28-4	9				2	7	80	110	250	280
	28-5	5		2		1	2	35	110	250	325
	28-6	3		3				70	145	215	290
	28-7	2		2				35	110	250	325
	28-8	12				2	10	80	110	250	280
	28-9	12				6	6	80	110	250	280
	28-10	7		2	2	3		80	110	250	280
	28-11	22				4	18	80	110	250	280
	28-12	26					26	90	180	270	
	28-15	35					35	80	110	250	280

Shell size	INSERT Number	Contacts						Alternate Pos.				
		Tot	0	4	8	12	16	W	X	Y	Z	
28	28-16	20					20	80	110	250	280	
	28-17	15					15	80	110	250	280	
	28-18	12					12					
	28-19	10				4	6	80	110	250	280	
	28-20	14				10	4	80	110	250	280	
	28-21	37					37	80	110	250	280	
	28-22	6		3			3	70	145	215	290	
	28-51	12					12		80	135	195	
32	32-1	5	2				3		80	110	250	280
	32-2	5		3				2	70	145	215	280
	32-4	14				2	12	80	110	250	280	
	32-5	2	2						80	110	250	325
	32-6	23		2	3	2	16	80	110	250	280	
	32-7	35				7	28	80	125	235	280	
	32-8	30				6	24	80	125	235	280	
	32-9	14		2			12	80	110	250	280	
	32-10	7		2	2		3	80	110	250	280	
	32-13	23				5	18	80	110	250	280	
	32-15	8	2				6		35	110	250	280
	32-17	4		4					45	110	250	
	32-22	54					54	80	110	250	280	
	36	36-1	22				4	18	80	110	250	280
36-3		6	3				3		70	145	215	290
36-4		3	3						70	145	215	290
36-5		4	4							120	240	
36-6		6	2	4					35	110	250	325
36-7		47				7	40	80	110	250	280	
36-8		47				1	46	80	110	250	280	
36-9		31		1	2	14	14	80	125	235	280	
36-10		48					48	80	125	235	280	
36-14		16			5	5	6	90	180	270		
36-15		35					35	60	125	245	305	
36-20		34			2	2	30					
36-52		52					52	72	144	216	288	
40	40-56	85					85	72	144	216	288	

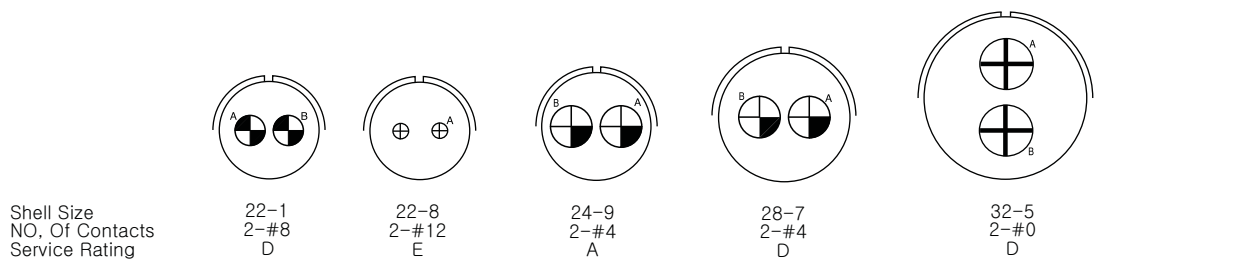
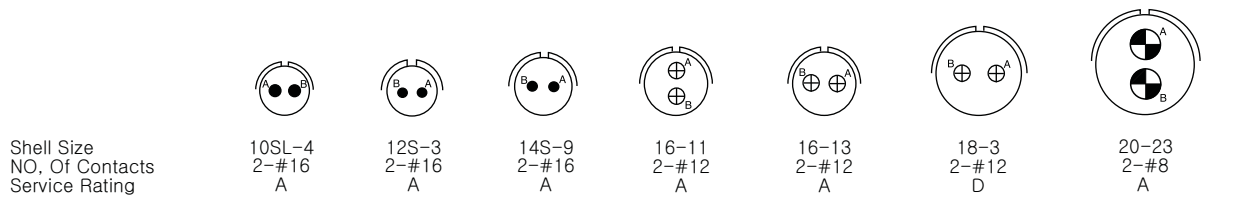
# KD CONNECTORS [MIL-DTL-5015]

## ▶ Contact Arrangement / 접점 배열도

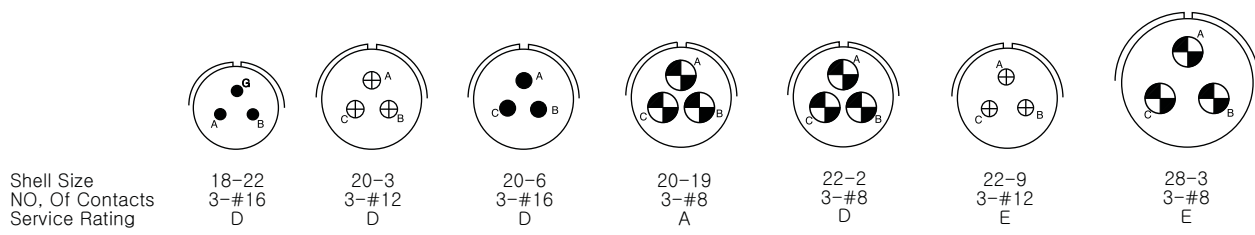
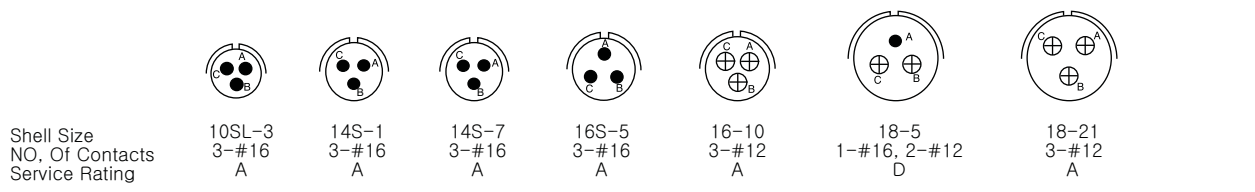
### 1 Contact



### 2 Contact



### 3 Contact

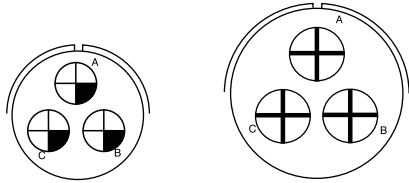
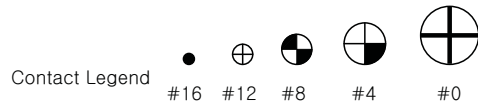




# KD CONNECTORS [MIL-DTL-5015]

## ▶ Contact Arrangement / 접촉 배열도

### 3 Contact

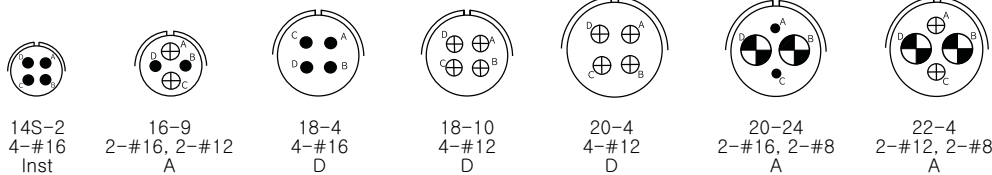


Shell Size  
NO. Of Contacts  
Service Rating

28-6  
3-#4  
D

36-4  
3-#0  
D(A) A(B, C)

### 4 Contact



Shell Size  
NO. Of Contacts  
Service Rating

14S-2  
4-#16  
Inst

16-9  
2-#16, 2-#12  
A

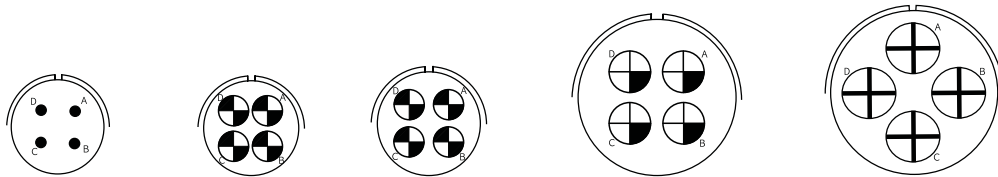
18-4  
4-#16  
D

18-10  
4-#12  
D

20-4  
4-#12  
D

20-24  
2-#16, 2-#8  
A

22-4  
2-#12, 2-#8  
A



Shell Size  
NO. Of Contacts  
Service Rating

22-10  
4-#16  
E

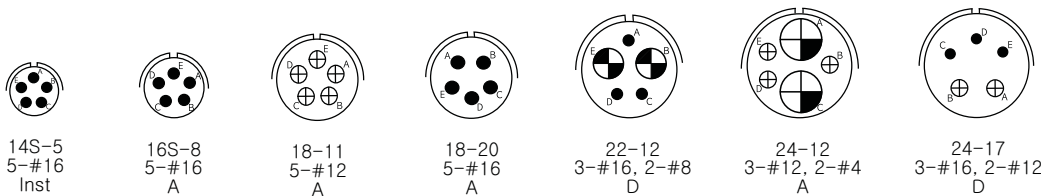
22-22  
4-#8  
A

24-22  
4-#8  
D

32-17  
4-#4  
D

36-5  
4-#0  
A

### 5 Contact



Shell Size  
NO. Of Contacts  
Service Rating

14S-5  
5-#16  
Inst

16S-8  
5-#16  
A

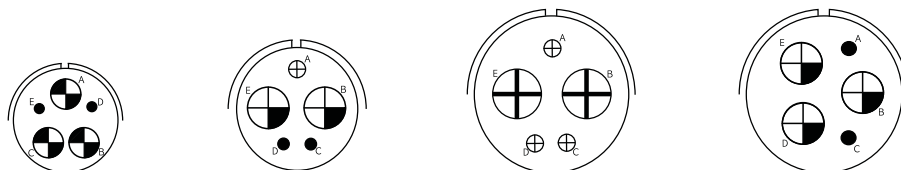
18-11  
5-#12  
A

18-20  
5-#16  
A

22-12  
3-#16, 2-#8  
D

24-12  
3-#12, 2-#4  
A

24-17  
3-#16, 2-#12  
D



Shell Size  
NO. Of Contacts  
Service Rating

24-23  
2-#16, 3-#8  
D

28-5  
2-#16, 1-#12, 2-#4  
D

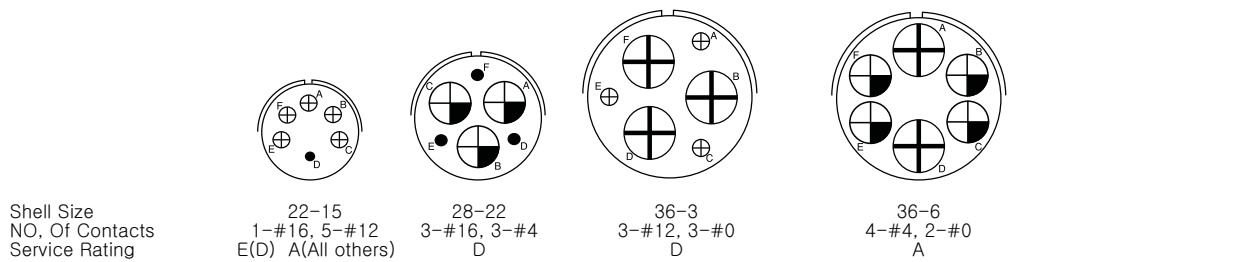
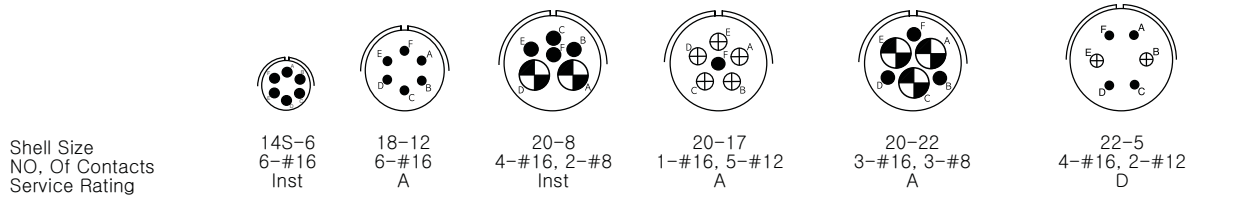
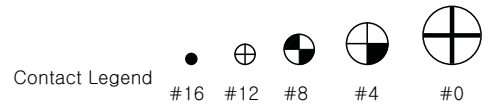
32-1  
3-#12, 2-#0  
E(A) D(B, C, D, E)

32-2  
2-#16, 3-#4  
E

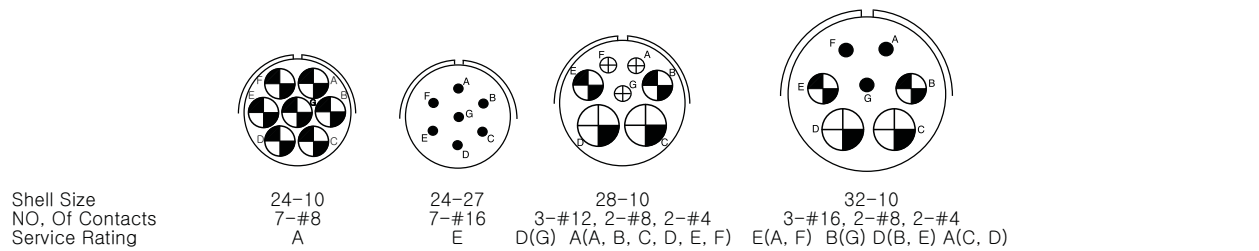
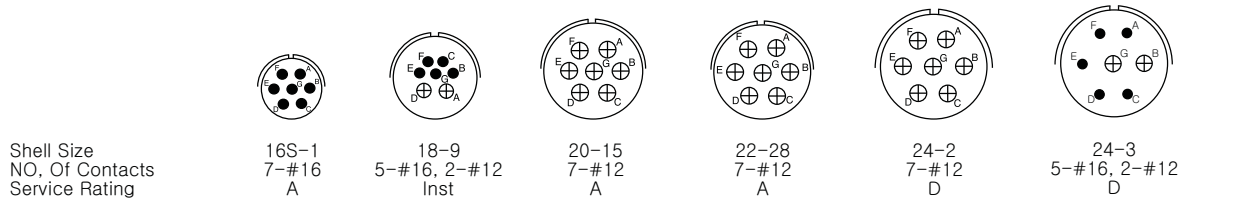
# KD CONNECTORS [MIL-DTL-5015]

## ▶ Contact Arrangement / 접점 배열도

### 6 Contact



### 7 Contact



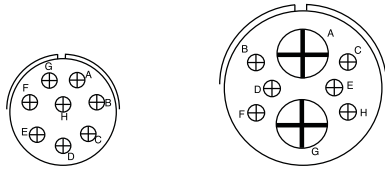
### 8 Contact



# KD CONNECTORS [MIL-DTL-5015]

## ► Contact Arrangement / 점점 배열도

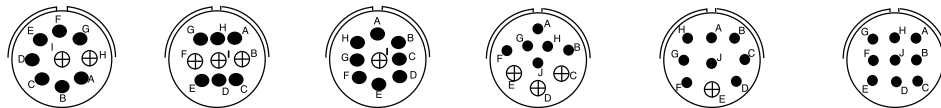
### 8 Contact



Shell Size 24-6  
NO. Of Contacts 8-#12  
Service Rating D(A, G, H) A(All others)

Shell Size 32-15  
NO. Of Contacts 6-#12, 2-#0  
Service Rating D

### 9 Contact



Shell Size 20-16  
NO. Of Contacts 7-#16, 2-#12  
Service Rating A

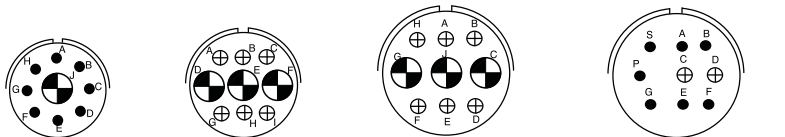
Shell Size 20-18  
NO. Of Contacts 6-#16, 3-#12  
Service Rating A

Shell Size 20-21  
NO. Of Contacts 8-#16, 1-#12  
Service Rating A

Shell Size 22-16  
NO. Of Contacts 6-#16, 3-#12  
Service Rating A

Shell Size 22-17  
NO. Of Contacts 8-#16, 1-#12  
Service Rating D(A) A(All others)

Shell Size 22-20  
NO. Of Contacts 9-#16  
Service Rating A



Shell Size 22-27  
NO. Of Contacts 8-#16, 1-#8  
Service Rating D(J) A(All others)

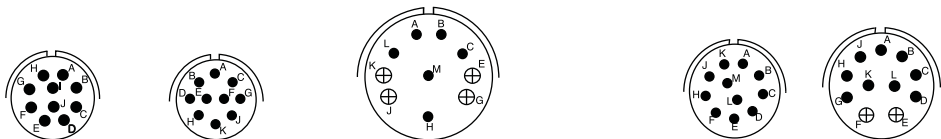
Shell Size 24-11  
NO. Of Contacts 6-#12, 3-#8  
Service Rating A

Shell Size 28-1  
NO. Of Contacts 6-#12, 3-#8  
Service Rating D(A, J, E) A(All others)

Shell Size 28-4  
NO. Of Contacts 7-#16, 2-#12  
Service Rating E(G, P, S) D(All others)

### 10 Contact

### 11 Contact



Shell Size 18-1  
NO. Of Contacts 10-#16  
Service Rating Inst

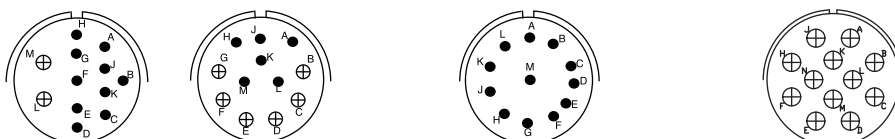
Shell Size 18-19  
NO. Of Contacts 10-#16  
Service Rating A

Shell Size 28-19  
NO. Of Contacts 6-#16, 4-#12  
Service Rating B(H, M) D(A, B) A(All others)

Shell Size 20-33  
NO. Of Contacts 11-#16  
Service Rating A

Shell Size 24-20  
NO. Of Contacts 9-#16, 2-#12  
Service Rating D

### 12 Contact



Shell Size 28-8  
NO. Of Contacts 10-#16, 2-#12  
Service Rating E(L, M) D(B) A(All others)

Shell Size 28-9  
NO. Of Contacts 6-#16, 6-#12  
Service Rating D

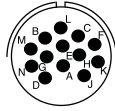
Shell Size 28-18  
NO. Of Contacts 12-#16  
Service Rating C(M) D(All others) A(A, B) Inst(C, D, E, F)

Shell Size 28-51  
NO. Of Contacts 12-#12  
Service Rating A

# KD CONNECTORS [MIL-DTL-5015]

## ▶ Contact Arrangement / 접점 배열도

### 13 Contact

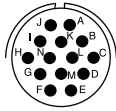


Shell Size  
NO. Of Contacts  
Service Rating

20-11  
13-#16  
Inst

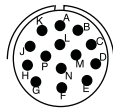


### 14 Contact

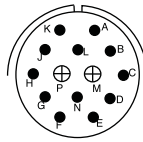


Shell Size  
NO. Of Contacts  
Service Rating

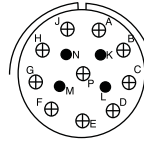
20-27  
14-#16  
A



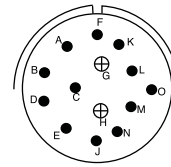
22-19  
14-#16  
A



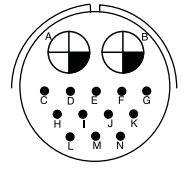
28-2  
12-#16, 2-#12  
D



28-20  
4-#16, 10-#12  
A

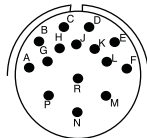


32-4  
12-#16, 2-#12  
D(All others) A (F, J, K, N)



32-9  
12-#16, 2-#4  
D

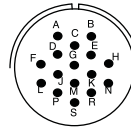
### 15 Contact



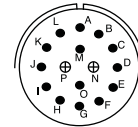
Shell Size  
NO. Of Contacts  
Service Rating

28-17  
15-#16  
B(R) D(M, N, P) A(All others)

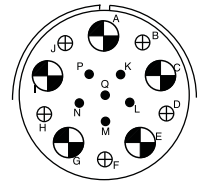
### 16 Contact



24-5  
16-#16  
A

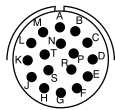


24-7  
14-#16, 2-#12  
A



36-14  
6-#16, 5-#8, 5-#12  
D

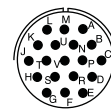
### 17 Contact



Shell Size  
NO. Of Contacts  
Service Rating

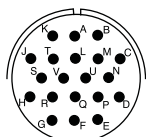
20-29  
17-#16  
A

### 19 Contact



22-14  
19-#16  
A

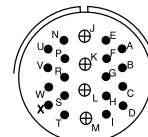
### 20 Contact



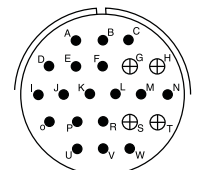
Shell Size  
NO. Of Contacts  
Service Rating

28-16  
20-#16  
A

### 22 Contact



28-11  
18-#16, 4-#12  
A

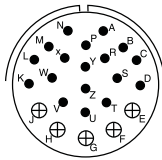
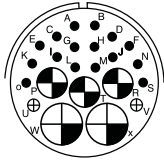
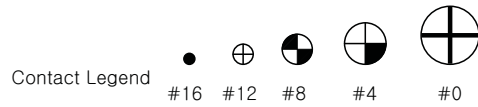


36-1  
18-#16, 4-#12  
D

# KD CONNECTORS [MIL-DTL-5015]

## ▶ Contact Arrangement / 접촉 배열도

### 23 Contact



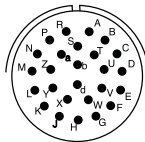
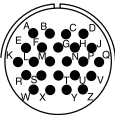
Shell Size  
NO. Of Contacts  
Service Rating

32-6  
16-#16, 3-#8, 2-#12, 2-#4  
A

32-13  
18-#16, 5-#12  
D

### 24 Contact

### 26 Contact



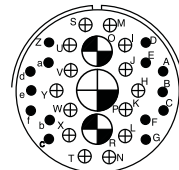
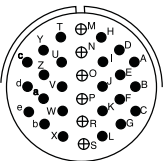
Shell Size  
NO. Of Contacts  
Service Rating

24-28  
24-#16  
Inst

28-12  
26-#16  
A

### 30 Contact

### 31 Contact



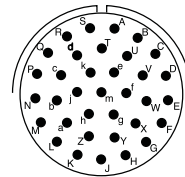
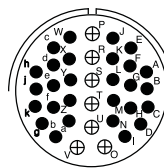
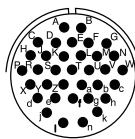
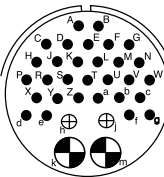
Shell Size  
NO. Of Contacts  
Service Rating

32-8  
24-#16, 6-#12  
A

36-9  
14-#16, 2-#8, 14-#12, 1-#4  
A

### 34 Contact

### 35 Contact



Shell Size  
NO. Of Contacts  
Service Rating

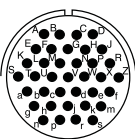
36-20  
30-#16, 2-#12, 2-#8  
A

28-15  
35-#16  
A

32-7  
28-#16, 7-#12  
A(All others) Inst(A, B, h, j)

36-15  
35-#16  
D(M) A(All others)

### 37 Contact



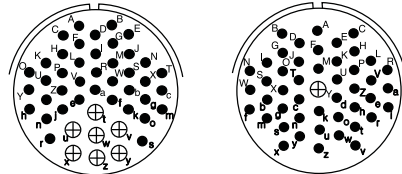
Shell Size  
NO. Of Contacts  
Service Rating

28-21  
37-#16  
A

# KD CONNECTORS [MIL-DTL-5015]

## ▶ Contact Arrangement / 접촉 배열도

### 47 Contact

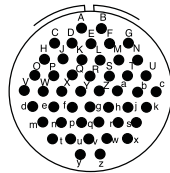


Shell Size  
NO. Of Contacts  
Service Rating

36-7  
40-#16, 7-#12  
A

36-8  
46-#16, 1-#12  
A

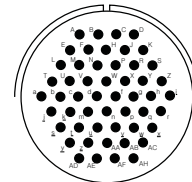
### 48 Contact



Shell Size  
NO. Of Contacts  
Service Rating

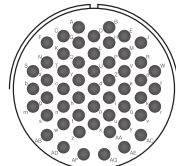
36-10  
48-#16  
A

### 52 Contact



36-52  
52-#16  
A

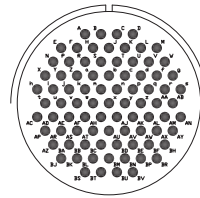
### 54 Contact



Shell Size  
NO. Of Contacts  
Service Rating

32-22  
54-#16  
A

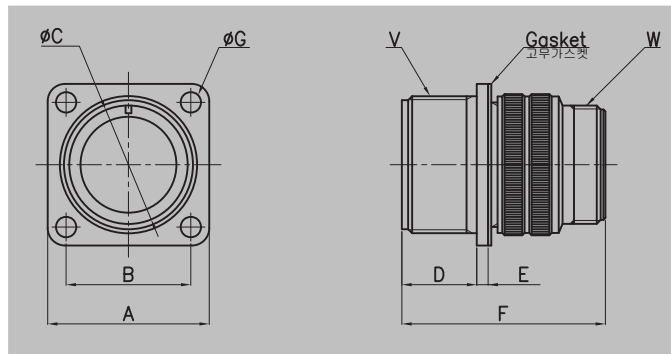
### 85 Contact



40-56  
85-#16  
A

# KD CONNECTORS [MIL-DTL-5015]

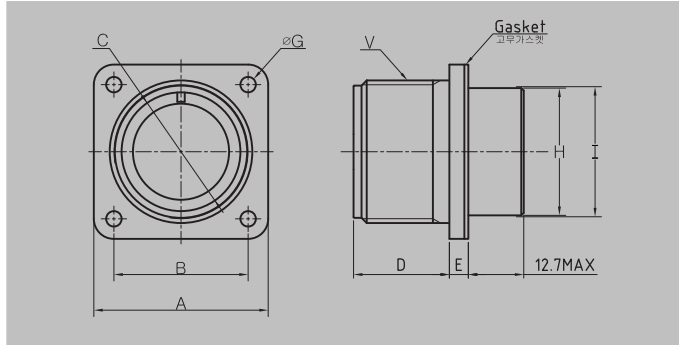
## ▶ KD3100A (MS3100A) – Wall Mounting / 장비형 (벽면 장착용)



	□A		□B		∅C	D	E	F	∅G	V	W	inch (mm)
Shell Size	±.031 (±0.79)	±.005 (±0.12)	+.015 (+0.38)	-.000 (-0.00)	+.031 (+0.79)	±.001 (±0.02)	MAX	+.010 (+0.25)	-.005 (-0.12)	Tread-2A	Tread-2A	
10SL	1.000 (25.40)	.719 (18.26)	.448 (11.38)	.562 (14.27)	.118 (3.00)	1.531 (38.89)	.120 (3.05)	5/8-24UNEF	5/8-24UNEF			
12S	1.094 (27.79)	.812 (20.62)	.557 (14.15)	.562 (14.27)	.118 (3.00)	1.688 (42.88)	.120 (3.05)	3/4-20UNEF	5/8-24UNEF			
12	1.094 (27.79)	.812 (20.62)	.557 (14.15)	.750 (19.05)	.118 (3.00)	2.062 (52.37)	.120 (3.05)	3/4-20UNEF	5/8-24UNEF			
14S	1.188 (30.18)	.906 (23.01)	.682 (17.32)	.562 (14.27)	.118 (3.00)	1.688 (42.87)	.120 (3.05)	7/8-20UNEF	3/4-20UNEF			
14	1.188 (30.18)	.906 (23.01)	.682 (17.32)	.750 (19.05)	.118 (3.00)	2.062 (52.37)	.120 (3.05)	7/8-20UNEF	3/4-20UNEF			
16S	1.281 (32.54)	.969 (24.61)	.807 (20.50)	.562 (14.27)	.118 (3.00)	1.688 (42.87)	.120 (3.05)	1-20UNEF	7/8-20UNEF			
16	1.281 (32.54)	.969 (24.61)	.807 (20.50)	.750 (19.05)	.118 (3.00)	2.062 (52.37)	.120 (3.05)	1-20UNEF	7/8-20UNEF			
18	1.375 (34.93)	1.062 (26.97)	.932 (23.67)	.750 (19.05)	.157 (4.00)	2.062 (52.37)	.120 (3.05)	1 1/8-18UNEF	1-20UNEF			
20	1.500 (38.10)	1.156 (29.36)	1.058 (26.87)	.750 (19.05)	.157 (4.00)	2.188 (55.58)	.120 (3.05)	1 1/4-18UNEF	1 3/16-18UNEF			
22	1.625 (41.28)	1.250 (31.75)	1.182 (30.02)	.750 (19.05)	.157 (4.00)	2.188 (55.58)	.120 (3.05)	1 3/8-18UNEF	1 3/16-18UNEF			
24	1.750 (44.45)	1.375 (34.93)	1.307 (33.20)	.812 (20.62)	.157 (4.00)	2.312 (58.72)	.147 (3.73)	1 1/2-18UNEF	1 7/16-18UNEF			
28	2.000 (50.80)	1.562 (39.67)	1.526 (38.76)	.812 (20.62)	.157 (4.00)	2.312 (58.72)	.147 (3.73)	1 3/4-18UNS	1 7/16-18UNEF			
32	2.250 (57.15)	1.750 (44.45)	1.776 (45.11)	.875 (22.23)	.157 (4.00)	2.438 (61.93)	.173 (4.39)	2-18UNS	1 3/4-18UNS			
36	2.500 (63.50)	1.938 (49.23)	1.995 (50.68)	.875 (22.23)	.157 (4.00)	2.438 (61.93)	.173 (4.39)	2 1/4-16UN	2-18UNS			

# KD CONNECTORS [MIL-DTL-5015]

## ▶ KD3102A (MS3102A) – Box Mounting / 장비형 (상자 장착용)



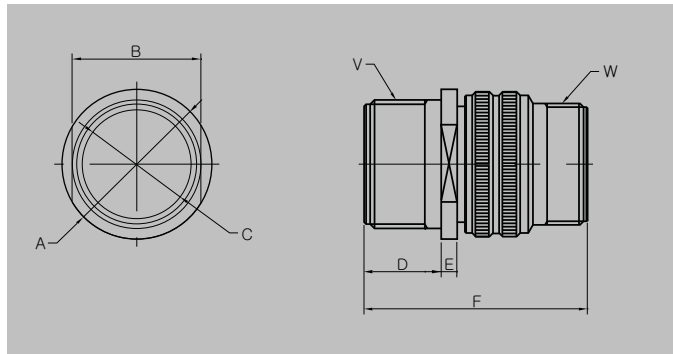
	□A	□B	ØC	D	E	ØG	ØH	I	V
Shell Size	±.031 (±0.79)	±.005 (±0.12)	+.015 -0.000 (+0.38) (-0.00)	+.031 -0.000 (+0.79) (-0.00)	±.001 (±0.02)	+.010 -0.005 (+0.25) (-0.12)	+.000 -0.188 (+0.00) (-4.77)	ref mounting hole	Tread-2A
10SL	1.000 (25.40)	.719 (18.26)	.448 (11.38)	.562 (14.27)	.118 (3.00)	.120 (3.05)	.782 (19.86)	.812 (20.62)	5/8-24UNEF
12S	1.094 (27.79)	.812 (20.62)	.557 (14.15)	.562 (14.27)	.118 (3.00)	.120 (3.05)	.782 (19.86)	.812 (20.62)	3/4-20UNEF
12	1.094 (27.79)	.812 (20.62)	.557 (14.15)	.750 (19.05)	.118 (3.00)	.120 (3.05)	.782 (19.86)	.812 (20.62)	3/4-20UNEF
14S	1.188 (30.18)	.906 (23.01)	.682 (17.32)	.562 (14.27)	.118 (3.00)	.120 (3.05)	.906 (23.01)	.938 (23.83)	7/8-20UNEF
14	1.188 (30.18)	.906 (23.01)	.682 (17.32)	.750 (19.05)	.118 (3.00)	.120 (3.05)	.906 (23.01)	.938 (23.83)	7/8-20UNEF
16S	1.281 (32.54)	.969 (24.61)	.807 (20.50)	.562 (14.27)	.118 (3.00)	.120 (3.05)	1.032 (26.21)	1.062 (26.97)	1-20UNEF
16	1.281 (32.54)	.969 (24.61)	.807 (20.50)	.750 (19.05)	.118 (3.00)	.120 (3.05)	1.032 (26.21)	1.062 (26.97)	1-20UNEF
18	1.375 (34.93)	1.062 (26.97)	.932 (23.67)	.750 (19.05)	.157 (4.00)	.120 (3.05)	1.156 (29.36)	1.188 (30.18)	1 1/8-18UNEF
20	1.500 (38.10)	1.156 (29.36)	1.058 (26.87)	.750 (19.05)	.157 (4.00)	.120 (3.05)	1.282 (32.56)	1.312 (33.32)	1 1/4-18UNEF
22	1.625 (41.28)	1.250 (31.75)	1.182 (30.02)	.750 (19.05)	.157 (4.00)	.120 (3.05)	1.406 (35.71)	1.438 (36.53)	1 3/8-18UNEF
24	1.750 (44.45)	1.375 (34.93)	1.307 (33.20)	.812 (20.62)	.157 (4.00)	.147 (3.73)	1.532 (38.91)	1.562 (39.67)	1 1/2-18UNEF
28	2.000 (50.80)	1.562 (39.67)	1.526 (38.76)	.812 (20.62)	.157 (4.00)	.147 (3.73)	1.782 (45.26)	1.812 (46.02)	1 3/4-18UNS
32	2.250 (57.15)	1.750 (44.45)	1.776 (45.11)	.875 (22.23)	.157 (4.00)	.173 (4.39)	2.032 (51.61)	2.062 (52.37)	2-18UNS
36	2.500 (63.50)	1.938 (49.23)	1.995 (50.68)	.875 (22.23)	.157 (4.00)	.173 (4.39)	2.282 (57.96)	2.312 (58.72)	2 1/4-16UN

inch  
(mm)



# KD CONNECTORS [MIL-DTL-5015]

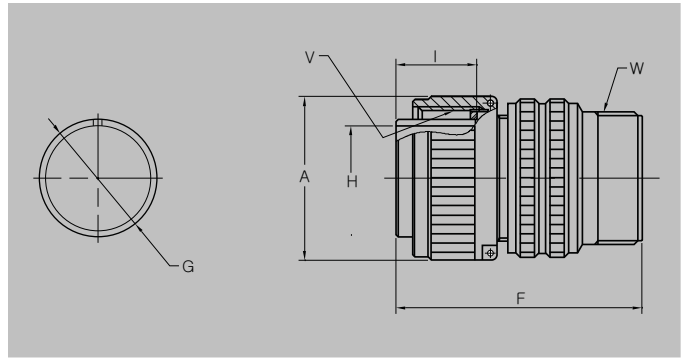
## ▶ KD3101A (MS3101A) – Cable Connecting Plug / 플러그형 (케이블 연결용)



Shell Size	ØA	B	ØC	D	E	F	V	W
	MAX	MAX	+0.015 -0.000 (+0.38) (-0.00)	MIN	MAX	MAX	Tread-2A	Tread-2A
10SL	.969 (24.61)	.656 (16.66)	.448 (11.38)	.375 (9.53)	.062 (1.57)	1.531 (38.89)	5/8-24UNEF	5/8-24UNEF
12S	1.062 (26.97)	.765 (19.43)	.557 (14.15)	.375 (9.53)	.062 (1.57)	1.688 (42.88)	3/4-20UNEF	5/8-24UNEF
12	1.062 (26.97)	.765 (19.43)	.557 (14.15)	.625 (15.88)	.078 (1.98)	2.062 (52.37)	3/4-20UNEF	5/8-24UNEF
14S	1.156 (29.36)	.890 (22.61)	.682 (17.32)	.375 (9.53)	.072 (1.83)	1.688 (42.88)	7/8-20UNEF	3/4-20UNEF
14	1.156 (29.36)	.890 (22.61)	.682 (17.32)	.625 (15.88)	.078 (1.98)	2.062 (52.37)	7/8-20UNEF	3/4-20UNEF
16S	1.250 (31.75)	1.015 (25.78)	.807 (20.50)	.375 (9.53)	.072 (1.83)	1.688 (42.88)	1-20UNEF	7/8-20UNEF
16	1.250 (31.75)	1.015 (25.78)	.807 (20.50)	.625 (15.88)	.078 (1.98)	2.062 (52.37)	1-20UNEF	7/8-20UNEF
18	1.344 (34.14)	1.140 (28.96)	.932 (23.67)	.625 (15.88)	.109 (2.77)	2.062 (52.37)	1 1/8-18UNEF	1-20UNEF
20	1.469 (37.31)	1.265 (32.13)	1.058 (26.87)	.625 (15.88)	.109 (2.77)	2.188 (55.58)	1 1/4-18UNEF	1 3/16-18UNEF
22	1.594 (40.49)	1.390 (35.31)	1.182 (30.02)	.625 (15.88)	.117 (2.97)	2.188 (55.58)	1 3/8-18UNEF	1 3/16-18UNEF
24	1.719 (43.66)	1.515 (38.48)	1.307 (33.20)	.625 (15.88)	.117 (2.97)	2.312 (58.72)	1 1/2-18UNEF	1 7/16-18UNEF
28	1.969 (50.01)	1.765 (44.83)	1.526 (38.76)	.625 (15.88)	.117 (2.97)	2.312 (58.72)	1 3/4-18UNS	1 7/16-18UNEF
32	2.219 (56.36)	2.015 (51.18)	1.776 (45.11)	.625 (15.88)	.117 (2.97)	2.438 (61.93)	2-18UNS	1 3/4-18UNS
36	2.469 (62.71)	2.265 (57.53)	1.995 (50.68)	.625 (15.88)	.117 (2.97)	2.438 (61.93)	2 1/4-16UN	2-18UNS

# KD CONNECTORS [MIL-DTL-5015]

## ▶ KD3106A (MS3106A) – Straight Plug / 플러그형 (직선용)

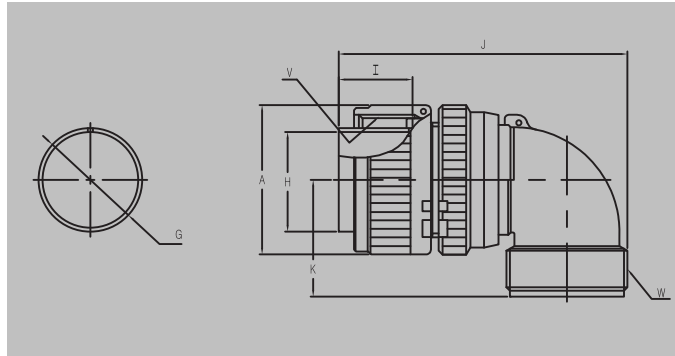


inch  
(mm)

Shell Size	ØA MAX	F MAX	ØG +0.00 -0.15 (+0.00) (-0.38)	ØH MIN	I ±.005 (±0.12)	V Tread-2B	W Tread-2A
10SL	.969 (24.61)	1.531 (38.89)	.446 (11.33)	.323 (8.20)	.531 (13.49)	5/8-24UNEF	5/8-24UNEF
12S	1.062 (26.97)	1.688 (42.88)	.555 (14.10)	.450 (11.43)	.531 (13.49)	3/4-20UNEF	5/8-24UNEF
12	1.062 (26.97)	2.062 (52.37)	.555 (14.10)	.450 (11.43)	.719 (18.26)	3/4-20UNEF	5/8-24UNEF
14S	1.156 (29.36)	1.688 (42.88)	.675 (17.15)	.526 (13.36)	.531 (13.49)	7/8-20UNEF	3/4-20UNEF
14	1.156 (29.36)	2.062 (52.37)	.675 (17.15)	.526 (13.36)	.719 (18.26)	7/8-20UNEF	3/4-20UNEF
16S	1.250 (31.75)	1.688 (42.88)	.805 (20.45)	.651 (16.54)	.531 (13.49)	1-20UNEF	7/8-20UNEF
16	1.250 (31.75)	2.062 (52.37)	.805 (20.45)	.651 (16.54)	.719 (18.26)	1-20UNEF	7/8-20UNEF
18	1.344 (34.14)	2.062 (52.37)	.930 (23.62)	.776 (19.71)	.719 (18.26)	1 1/8-18UNEF	1-20UNEF
20	1.469 (37.31)	2.188 (55.58)	1.050 (26.67)	.932 (23.67)	.719 (18.26)	1 1/4-18UNEF	1 3/16-18UNEF
22	1.594 (40.49)	2.188 (55.58)	1.175 (29.85)	1.026 (26.06)	.719 (18.26)	1 3/8-18UNEF	1 3/16-18UNEF
24	1.719 (43.66)	2.312 (58.72)	1.300 (33.02)	1.151 (29.24)	.719 (18.26)	1 1/2-18UNEF	1 7/16-18UNEF
28	1.969 (50.01)	2.312 (58.72)	1.520 (38.61)	1.370 (34.80)	.719 (18.26)	1 3/4-18UNS	1 7/16-18UNEF
32	2.219 (56.36)	2.438 (61.93)	1.770 (44.96)	1.620 (41.15)	.719 (18.26)	2-18UNS	1 3/4-18UNS
36	2.469 (62.71)	2.438 (61.93)	1.980 (50.29)	1.838 (46.69)	.719 (18.26)	2 1/4-16UN	2-18UNS

# KD CONNECTORS [MIL-DTL-5015]

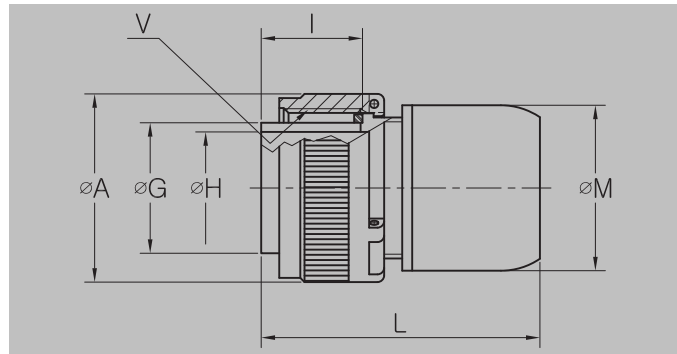
## ▶ KD3108A (MS3108A) – 90° Angle Plug / 플러그형 (90°용)



	ØA	ØG	ØH	I	J	K	V	W
Shell Size	MAX	+0.00 -0.15 (+0.00) (-0.38)	MIN	±.005 (±0.12)	MAX	MAX	Tread-2B	Tread-2A
	inch (mm)							
10SL	.969 (24.61)	.446 (11.33)	.323 (8.20)	.531 (13.49)	1.812 (43.02)	1.000 (25.40)	5/8-24UNEF	5/8-24UNEF
12S	1.062 (26.97)	.555 (14.10)	.450 (11.43)	.531 (13.49)	2.000 (50.80)	1.062 (26.97)	3/4-20UNEF	5/8-24UNEF
12	1.062 (26.97)	.555 (14.10)	.450 (11.43)	.719 (18.26)	2.250 (57.15)	1.062 (26.97)	3/4-20UNEF	5/8-24UNEF
14S	1.156 (29.36)	.675 (17.15)	.526 (13.36)	.531 (13.49)	2.125 (53.98)	1.125 (28.58)	7/8-20UNEF	3/4-20UNEF
14	1.156 (29.36)	.675 (17.15)	.526 (13.36)	.719 (18.26)	2.312 (58.72)	1.125 (28.58)	7/8-20UNEF	3/4-20UNEF
16S	1.250 (31.75)	.805 (20.45)	.651 (16.54)	.531 (13.49)	2.375 (60.33)	1.188 (30.18)	1-20UNEF	7/8-20UNEF
16	1.250 (31.75)	.805 (20.45)	.651 (16.54)	.719 (18.26)	2.562 (65.07)	1.188 (30.18)	1-20UNEF	7/8-20UNEF
18	1.344 (34.14)	.930 (23.62)	.776 (19.71)	.719 (18.26)	2.688 (68.28)	1.312 (33.32)	1 1/8-18UNEF	1-20UNEF
20	1.469 (37.31)	1.050 (26.67)	.932 (23.67)	.719 (18.26)	3.031 (76.99)	1.375 (34.92)	1 1/4-18UNEF	1 3/16-18UNEF
22	1.594 (40.49)	1.175 (29.85)	1.026 (26.06)	.719 (18.26)	3.031 (76.99)	1.375 (34.92)	1 3/8-18UNEF	1 3/16-18UNEF
24	1.719 (43.66)	1.300 (33.02)	1.151 (29.24)	.719 (18.26)	3.406 (86.51)	1.562 (39.67)	1 1/2-18UNEF	1 7/16-18UNEF
28	1.969 (50.01)	1.520 (38.61)	1.370 (34.80)	.719 (18.26)	3.406 (86.51)	1.562 (39.67)	1 3/4-18UNS	1 7/16-18UNEF
32	2.219 (56.36)	1.770 (44.96)	1.620 (41.15)	.719 (18.26)	3.750 (95.25)	1.875 (47.63)	2-18UNS	1 3/4-18UNS
36	2.469 (62.71)	1.980 (50.29)	1.838 (46.69)	.719 (18.26)	3.938 (100.03)	2.062 (52.37)	2 1/4-16UN	2-18UNS

# KD CONNECTORS [MIL-DTL-5015]

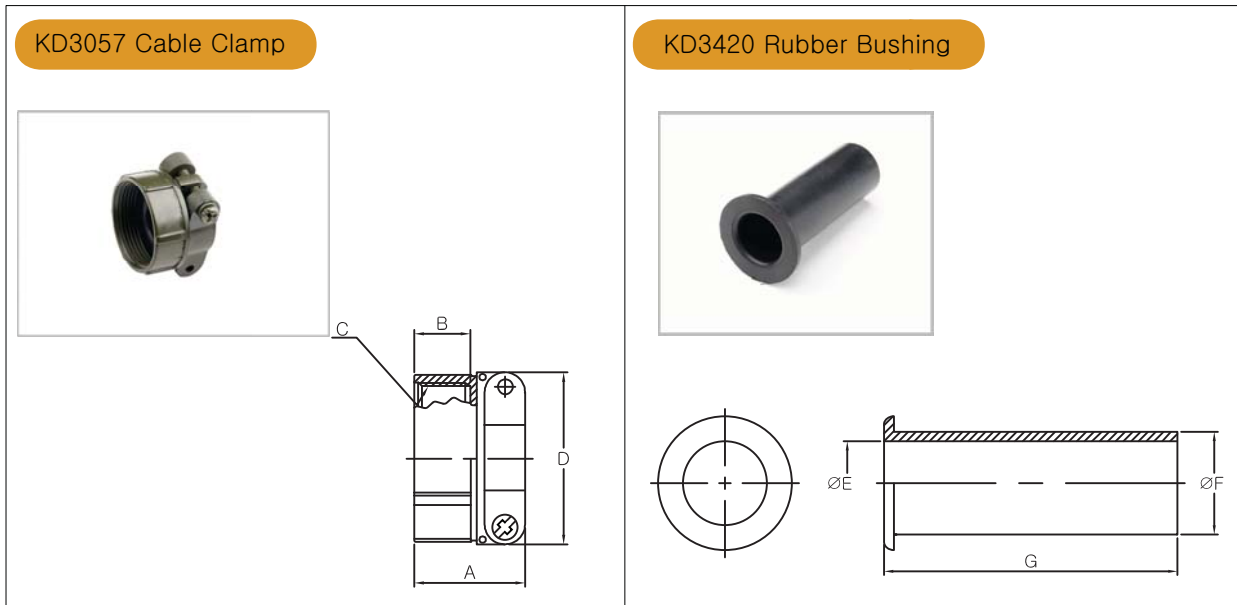
## ▶ KD25183 (MS25183) – Potting Seal Plug / 플러그형 (일봉용)



	inch (mm)						
Shell Size	ØA MAX	ØG +.000 -.015 (+0.00) (-0.38)	ØH MIN	I ±.005 (±0.12)	L MAX	ØM MAX	V Tread-2B
10SL	.969 (24.61)	.446 (11.33)	.323 (8.20)	.531 (13.49)	1.500 (38.89)	.863 (21.92)	5/8-24UNEF
12S	1.062 (26.97)	.555 (14.10)	.450 (11.43)	.531 (13.49)	1.500 (38.89)	.863 (21.92)	3/4-20UNEF
12	1.062 (26.97)	.555 (14.10)	.450 (11.43)	.719 (18.26)	1.906 (48.41)	.863 (21.92)	3/4-20UNEF
14S	1.156 (29.36)	.675 (17.15)	.526 (13.36)	.531 (13.49)	1.500 (38.89)	.941 (23.90)	7/8-20UNEF
14	1.156 (29.36)	.675 (17.15)	.526 (13.36)	.719 (18.26)	1.906 (48.41)	.941 (23.90)	7/8-20UNEF
16S	1.250 (31.75)	.805 (20.45)	.651 (16.54)	.531 (13.49)	1.500 (38.89)	1.066 (27.08)	1-20UNEF
16	1.250 (31.75)	.805 (20.45)	.651 (16.54)	.719 (18.26)	1.906 (48.41)	1.066 (27.08)	1-20UNEF
18	1.344 (34.14)	.930 (23.62)	.776 (19.71)	.719 (18.26)	1.906 (48.41)	1.207 (30.66)	1 1/8-18UNEF
20	1.469 (37.31)	1.050 (26.67)	.932 (23.67)	.719 (18.26)	2.188 (55.58)	1.332 (33.83)	1 1/4-18UNEF
22	1.594 (40.49)	1.175 (29.85)	1.026 (26.06)	.719 (18.26)	2.188 (55.58)	1.457 (37.01)	1 3/8-18UNEF
24	1.719 (43.66)	1.300 (33.02)	1.151 (29.24)	.719 (18.26)	2.188 (55.58)	1.582 (40.18)	1 1/2-18UNEF
28	1.969 (50.01)	1.520 (38.61)	1.370 (34.80)	.719 (18.26)	2.188 (55.58)	1.832 (46.53)	1 3/4-18UNS
32	2.219 (56.36)	1.770 (44.96)	1.620 (41.15)	.719 (18.26)	2.188 (55.58)	2.082 (52.88)	2-18UNS
36	2.469 (62.71)	1.980 (50.29)	1.838 (46.69)	.719 (18.26)	2.188 (55.58)	2.395 (60.83)	2 1/4-16UN
40	2.719 (69.06)	2.230 (56.64)	2.057 (52.25)	.719 (18.26)	2.188 (55.58)	2.594 (65.89)	2 1/2-16UN

# KD CONNECTORS [MIL-DTL-5015]

## ▶ Accessory / 부속품

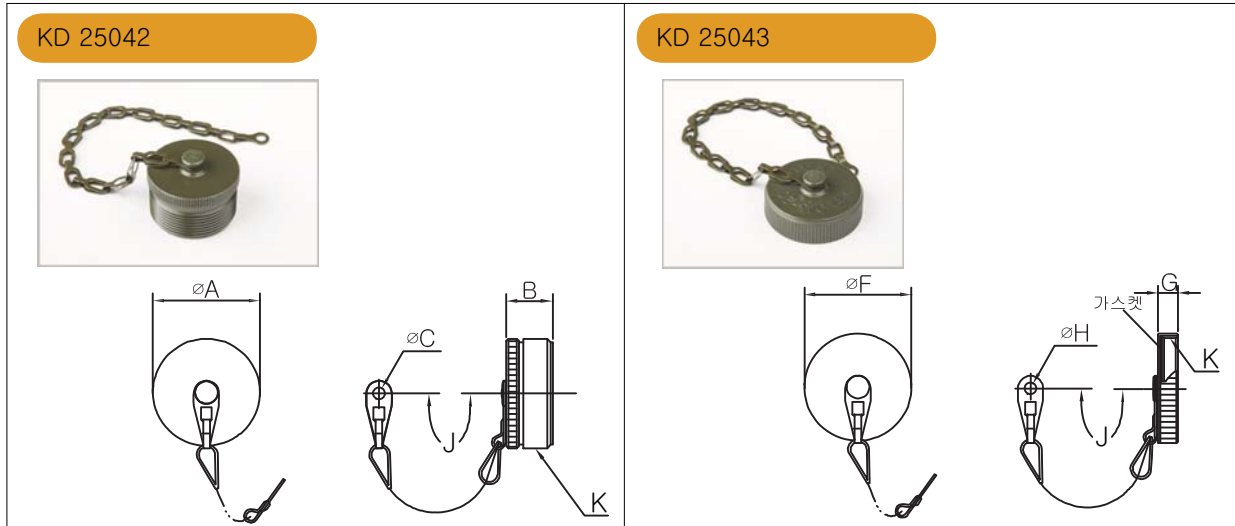


Dash NO.		Shell Size	A	B	C	D	ØE	ØF	G
KD3057	KD3420		$\pm .031$ ( $\pm 0.78$ )	$\pm .031$ ( $\pm 0.78$ )	Tread-2B	$\pm .031$ ( $\pm 0.78$ )	$\pm .016$ ( $\pm 0.40$ )	$\pm .016$ ( $\pm 0.40$ )	$\pm .031$ ( $\pm 0.78$ )
- 4A	4	10SL 12S, 12	.812 (20.62)	.406 (10.31)	5/8-24UNEF	.875 (22.23)	.220 (5.59)	.302 (7.67)	2.748 (69.8)
- 6A	6	14S, 14	.875 (22.23)	.406 (10.31)	3/4-20UNEF	1.062 (26.97)	.312 (7.92)	.427 (10.85)	2.626 (66.7)
- 8A	8	16S, 16	.938 (23.83)	.406 (10.31)	7/8-20UNEF	1.156 (29.36)	.437 (11.10)	.552 (14.02)	2.500 (63.5)
- 10A	10	18	.938 (23.83)	.406 (10.31)	1-20UNEF	1.250 (31.75)	.562 (14.27)	.615 (15.62)	2.374 (60.3)
- 12A	12	20, 22	.938 (23.83)	.406 (10.31)	1 3/16-18UNEF	1.469 (37.31)	.625 (15.88)	.740 (18.80)	2.252 (57.2)
- 16A	16	24, 28	1.031 (26.19)	.406 (10.31)	1 7/16-18UNEF	1.688 (42.88)	.750 (19.05)	.927 (23.55)	2.126 (54.0)
- 20A	20	32	1.094 (27.79)	.469 (11.91)	1 3/4-18UNS	2.031 (51.59)	.937 (23.80)	1.240 (31.50)	2.000 (50.8)
- 24A	24	36	1.156 (29.36)	.531 (13.49)	2-18UNS	2.281 (57.94)	1.250 (31.75)	1.365 (34.67)	1.874 (47.6)

inch  
(mm)

# KD CONNECTORS [MIL-DTL-5015]

## ▶ Accessory / 부속품

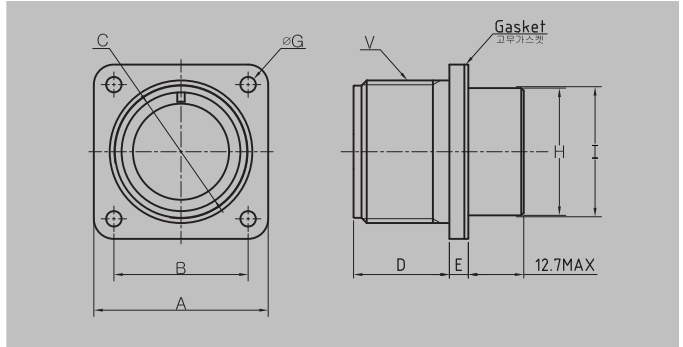


Dash No.	Shell SIZE		ØA MAX	B MAX	ØC +.010 -.005 (+0.25) (-0.12)	ØF MAX	G MAX	ØH +.010 -.005 (+0.25) (-0.12)	J MAX	K Thread (-2A, -2B)
	MS 25042	MS 25043								
- 10D	10SL		.687 (17.45)	.656 (16.66)	.156 (3.96)	.815 (20.70)	.469 (11.91)	.140 (3.56)	4.00 (101.6)	5/8-24UNEF
- 12D	12S, 12		.812 (20.62)	.908 (21.44)	.156 (3.96)	1.000 (25.40)	.469 (11.91)	.140 (3.56)	4.50 (101.6)	3/4-20UNEF
- 14D	14S, 14		.937 (23.80)	.908 (21.44)	.156 (3.96)	1.125 (28.58)	.469 (11.91)	.140 (3.56)	4.50 (101.6)	7/8-20UNEF
- 16D	16S, 16		1.062 (26.97)	.908 (21.44)	.156 (11.91)	1.188 (30.18)	.469 (11.91)	.140 (3.56)	4.50 (101.6)	1-20UNEF
- 18D	18		1.187 (30.15)	.908 (21.44)	.156 (3.96)	1.344 (34.13)	.469 (11.91)	.140 (3.56)	4.50 (101.6)	1 1/8-18UNEF
- 20D	20		1.312 (33.32)	.908 (21.44)	.187 (4.75)	1.469 (37.31)	.469 (11.91)	.140 (3.56)	5.00 (127.0)	1 1/4-18UNEF
- 22D	22		1.437 (36.50)	.908 (21.44)	.187 (4.75)	1.594 (40.49)	.469 (11.91)	.140 (3.56)	5.00 (127.0)	1 3/8-18UNEF
- 24D	24		1.562 (39.67)	.908 (21.44)	.187 (4.75)	1.719 (43.66)	.469 (11.91)	.171 (4.34)	5.50 (139.7)	1 1/2-18UNEF
- 28D	28		1.812 (46.02)	.908 (21.44)	.187 (4.75)	1.969 (50.01)	.531 (13.49)	.171 (4.34)	7.75 (196.9)	1 3/4-18UNS
- 32D	32		2.062 (52.37)	.908 (21.44)	.218 (5.54)	2.219 (56.36)	.531 (13.49)	.187 (4.75)	7.75 (196.9)	2-18UNS
- 36D	36		2.312 (58.72)	.908 (21.44)	.218 (5.54)	2.469 (62.71)	.531 (13.49)	.187 (4.75)	7.75 (196.9)	2 1/4-16UN

inch  
(mm)

# KD CONNECTORS [MIL-DTL-5015]

## ▶ KD3102B (MS3102B) – Box Mounting / 장비형 (상자 장착용)

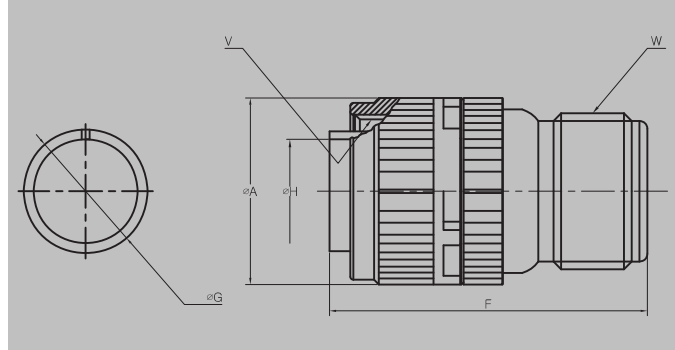


	□A	□B	ØC	D	E	ØG	ØH	I	V
Shell Size	±.031 (±0.79)	±.005 (±0.12)	+.015 -0.000 (+0.38) (-0.00)	+.031 -0.000 (+0.79) (-0.00)	±.001 (±0.02)	+.010 -0.005 (+0.25) (-0.12)	+.000 -0.188 (+0.00) (-4.77)	ref mounting hole	Tread-2A
10SL	1.000 (25.40)	.719 (18.26)	.448 (11.38)	.562 (14.27)	.118 (3.00)	.120 (3.05)	.782 (19.86)	.812 (20.62)	5/8-24UNEF
12S	1.094 (27.79)	.812 (20.62)	.557 (14.15)	.562 (14.27)	.118 (3.00)	.120 (3.05)	.782 (19.86)	.812 (20.62)	3/4-20UNEF
12	1.094 (27.79)	.812 (20.62)	.557 (14.15)	.750 (19.05)	.118 (3.00)	.120 (3.05)	.782 (19.86)	.812 (20.62)	3/4-20UNEF
14S	1.188 (30.18)	.906 (23.01)	.682 (17.32)	.562 (14.27)	.118 (3.00)	.120 (3.05)	.906 (23.01)	.938 (23.83)	7/8-20UNEF
14	1.188 (30.18)	.906 (23.01)	.682 (17.32)	.750 (19.05)	.118 (3.00)	.120 (3.05)	.906 (23.01)	.938 (23.83)	7/8-20UNEF
16S	1.281 (32.54)	.969 (24.61)	.807 (20.50)	.562 (14.27)	.118 (3.00)	.120 (3.05)	1.032 (26.21)	1.062 (26.97)	1-20UNEF
16	1.281 (32.54)	.969 (24.61)	.807 (20.50)	.750 (19.05)	.118 (3.00)	.120 (3.05)	1.032 (26.21)	1.062 (26.97)	1-20UNEF
18	1.375 (34.93)	1.062 (26.97)	.932 (23.67)	.750 (19.05)	.157 (4.00)	.120 (3.05)	1.156 (29.36)	1.188 (30.18)	1 1/8-18UNEF
20	1.500 (38.10)	1.156 (29.36)	1.058 (26.87)	.750 (19.05)	.157 (4.00)	.120 (3.05)	1.282 (32.56)	1.312 (33.32)	1 1/4-18UNEF
22	1.625 (41.28)	1.250 (31.75)	1.182 (30.02)	.750 (19.05)	.157 (4.00)	.120 (3.05)	1.406 (35.71)	1.438 (36.53)	1 3/8-18UNEF
24	1.750 (44.45)	1.375 (34.93)	1.307 (33.20)	.812 (20.62)	.157 (4.00)	.147 (3.73)	1.532 (38.91)	1.562 (39.67)	1 1/2-18UNEF
28	2.000 (50.80)	1.562 (39.67)	1.526 (38.76)	.812 (20.62)	.157 (4.00)	.147 (3.73)	1.782 (45.26)	1.812 (46.02)	1 3/4-18UNS
32	2.250 (57.15)	1.750 (44.45)	1.776 (45.11)	.875 (22.23)	.157 (4.00)	.173 (4.39)	2.032 (51.61)	2.062 (52.37)	2-18UNS
36	2.500 (63.50)	1.938 (49.23)	1.995 (50.68)	.875 (22.23)	.157 (4.00)	.173 (4.39)	2.282 (57.96)	2.312 (58.72)	2 1/4-16UN

inch  
(mm)

# MS STANDARD CONNECTORS [MIL-DTL-5015]

▶ KD 3106B (MS 3106B) – Straight Plug Split Endbell / 플러그형 (분리직선용)



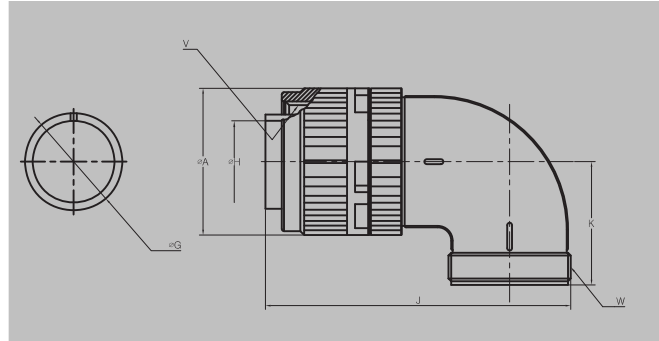
Shell Size	ØA	F	ØG	ØH	V	W
	MAX	MAX	+ .000 - .015 (+0.00) (-0.38)	MIN	Tread-2B	Tread-2A
10SL	.969 (24.61)	1.531 (38.89)	.446 (11.33)	.323 (8.20)	5/8-24UNEF	5/8-24UNEF
12S	1.062 (26.97)	1.688 (42.88)	.555 (14.10)	.450 (11.43)	3/4-20UNEF	5/8-24UNEF
12	1.062 (26.97)	2.062 (52.37)	.555 (14.10)	.450 (11.43)	3/4-20UNEF	5/8-24UNEF
14S	1.156 (29.36)	1.688 (42.88)	.675 (17.15)	.526 (13.36)	7/8-20UNEF	3/4-20UNEF
14	1.156 (29.36)	2.062 (52.37)	.675 (17.15)	.526 (13.36)	7/8-20UNEF	3/4-20UNEF
16S	1.250 (31.75)	1.688 (42.88)	.805 (20.45)	.651 (16.54)	1-20UNEF	7/8-20UNEF
16	1.250 (31.75)	2.062 (52.37)	.805 (20.45)	.651 (16.54)	1-20UNEF	7/8-20UNEF
18	1.344 (34.14)	2.062 (52.37)	.930 (23.62)	.776 (19.71)	1 1/8-18UNEF	1-20UNEF
20	1.469 (37.31)	2.188 (55.58)	1.050 (26.67)	.932 (23.67)	1 1/4-18UNEF	1 3/16-18UNEF
22	1.594 (40.49)	2.188 (55.58)	1.175 (29.85)	1.026 (26.06)	1 3/8-18UNEF	1 3/16-18UNEF
24	1.719 (43.66)	2.312 (58.72)	1.300 (33.02)	1.151 (29.24)	1 1/2-18UNEF	1 7/16-18UNEF
28	1.969 (50.01)	2.312 (58.72)	1.520 (38.61)	1.370 (34.80)	1 3/4-18UNS	1 7/16-18UNEF
32	2.219 (56.36)	2.438 (61.93)	1.770 (44.96)	1.620 (41.15)	2-18UNS	1 3/4-18UNS
36	2.469 (62.71)	2.438 (61.93)	1.980 (50.29)	1.838 (46.69)	2 1/4-16UN	2-18UNS

inch  
(mm)



# KD CONNECTORS [MIL-DTL-5015]

▶ KD 3108B (MS 3108B) – 90° Angle Plug Split Endbell / 플러그형 (90°분리용)



Shell Size	ØA	ØG	ØH	J	K	V	W
	MAX	+0.00 -0.15 (+0.00) (-0.38)	MIN	MAX	MAX	Tread-2B	Tread-2A
10SL	.969 (24.61)	.446 (11.33)	.323 (8.20)	1.812 (43.02)	1.000 (25.40)	5/8-24UNEF	5/8-24UNEF
12S	1.062 (26.97)	.555 (14.10)	.450 (11.43)	2.000 (50.80)	1.062 (26.97)	3/4-20UNEF	5/8-24UNEF
12	1.062 (26.97)	.555 (14.10)	.450 (11.43)	2.250 (57.15)	1.062 (26.97)	3/4-20UNEF	5/8-24UNEF
14S	1.156 (29.36)	.675 (17.15)	.526 (13.36)	2.125 (53.98)	1.125 (28.58)	7/8-20UNEF	3/4-20UNEF
14	1.156 (29.36)	.675 (17.15)	.526 (13.36)	2.312 (58.72)	1.125 (28.58)	7/8-20UNEF	3/4-20UNEF
16S	1.250 (31.75)	.805 (20.45)	.651 (16.54)	2.375 (60.33)	1.188 (30.18)	1-20UNEF	7/8-20UNEF
16	1.250 (31.75)	.805 (20.45)	.651 (16.54)	2.562 (65.07)	1.188 (30.18)	1-20UNEF	7/8-20UNEF
18	1.344 (34.14)	.930 (23.62)	.776 (19.71)	2.688 (68.28)	1.312 (33.32)	1 1/8-18UNEF	1-20UNEF
20	1.469 (37.31)	1.050 (26.67)	.932 (23.67)	3.031 (76.99)	1.375 (34.92)	1 1/4-18UNEF	1 3/16-18UNEF
22	1.594 (40.49)	1.175 (29.85)	1.026 (26.06)	3.031 (76.99)	1.375 (34.92)	1 3/8-18UNEF	1 3/16-18UNEF
24	1.719 (43.66)	1.300 (33.02)	1.151 (29.24)	3.406 (86.51)	1.562 (39.67)	1 1/2-18UNEF	1 7/16-18UNEF
28	1.969 (50.01)	1.520 (38.61)	1.370 (34.80)	3.406 (86.51)	1.562 (39.67)	1 3/4-18UNS	1 7/16-18UNEF
32	2.219 (56.36)	1.770 (44.96)	1.620 (41.15)	3.750 (95.25)	1.875 (47.63)	2-18UNS	1 3/4-18UNS
36	2.469 (62.71)	1.980 (50.29)	1.838 (46.69)	3.938 (100.03)	2.062 (52.37)	2 1/4-16UN	2-18UNS

inch  
(mm)

# MS STANDARD CONNECTORS [MIL-DTL-5015]

## ▶ KD E/F, R Type & KD 25183

	KD3106R Straight Plug	KD3106E/F Straight Plug	KD3108E 90° Plug	KD3108F 90° Plug	KD25183
엔드벨					
부싱					
그로멧					
커플링너트					
핀					
절연체					
플러그몸체					
각링					

\*KD3106 E형에도 각링을 포함한다.